

LUNETATA[®]

SMART PRODUCTS • RELIABLE MACHINES

PRODUCT CATALOG



luneta.com



X-Series Breather

Vent Tube Kit

Fill Port Splitter

Column

ABOUT US

Luneta, LLC develops advanced machinery lubricant inspection technology for machine condition monitoring and reliability. Luneta's technology is designed primarily for the heavy machinery market (*OEM and aftermarket*) used largely in process plants including petrochemical, power generation, primary metals, food processing, mining, pulp and paper, pharmaceutical and cement manufacturing.

LUNETATA[®]

Bowl



TABLE OF CONTENTS

The Sight Glass	3
The CMP	5
The Hub	7
The Column	9
The Bowl.....	11
Desiccant Breathers	13
Accessories	17

THE SIGHT GLASS



The Luneta Sight Glass is a 3D sight glass that provides a nearly 360° view of the oil thanks to the ultra-durable, crystal-clear and chemically resistant Tritan™ material.

This patent pending design is the perfect tool to assist with daily one minute inspections. The design features a flat front face for application of a pen light or camera for closer inspection and analysis. A built-in hex makes installation easy with a socket wrench or pliers. Two eyelets are provided for tagging useful information such as oil type and an oil color change card. And all of these features are packed into a single molded piece to eliminate leak points and improve reliability. Be sure to check out the impact test videos online to witness the true strength of Luneta's engineering and the Tritan™ material.



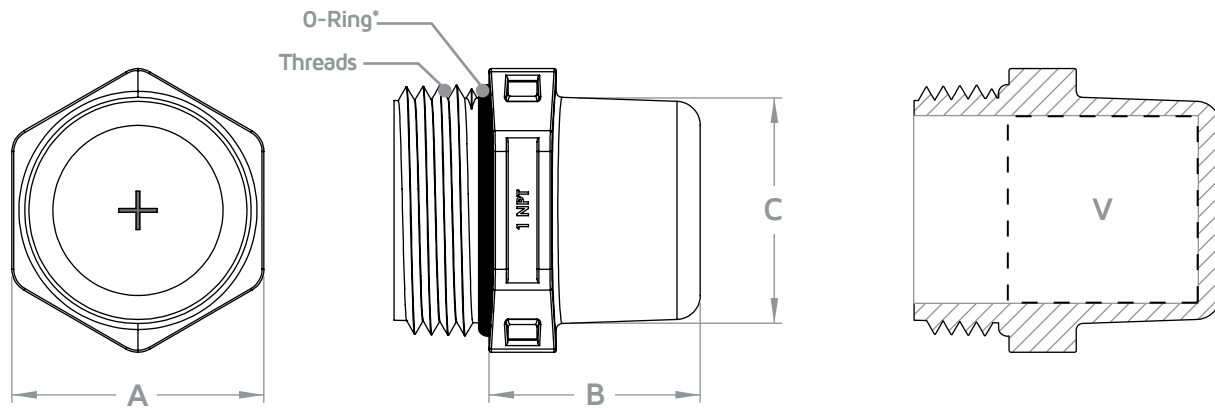
Petroleum Refinery

Vacuum Pump

Fertilizer Plant

Available Male Thread Size:

NPT 1/4", 3/8", 1/2", 3/4", 1", 1 1/4" and 1-1/2"; BSPP 1/4", 3/8", 1/2", 3/4" and 1"
Metric 10x1, 10x1.5, 12x1.5, 16x1.5, 20x1.5, 22x1.5

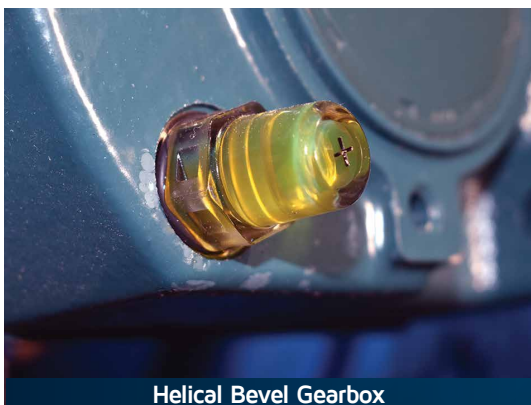


A - Hex | B - Length | C - Diameter | V - Volume

SPECIFICATIONS

- **Application:** Oil level and drain ports
- **Volume:** Varies (see table)
- **Threads:** Varies (see table)
- **Dimensions:** Varies (see table)
- **Shipping Weight:** From 0.16 to 1.76 oz
- **Recommended Temperature:** -40°F to 200°F (-40°C to 93°C)
- **Recommended Pressure:** 65 psi/.4.5 bar
- **Materials:** **Body:** Tritan™ (a patented, crystal clear and chemically resistant material); **O-Rings:** Viton™
- **Outdoor Compatibility:** UV-resistant to protect against long-term sun exposure
- **Chemical Compatibility:** Resistant to mineral and synthetic oils that are compatible with fluorocarbon elastomers (Viton™) and PMMA (acrylic) plastic
- **O-Rings:** Included with BSPP and metric threads only

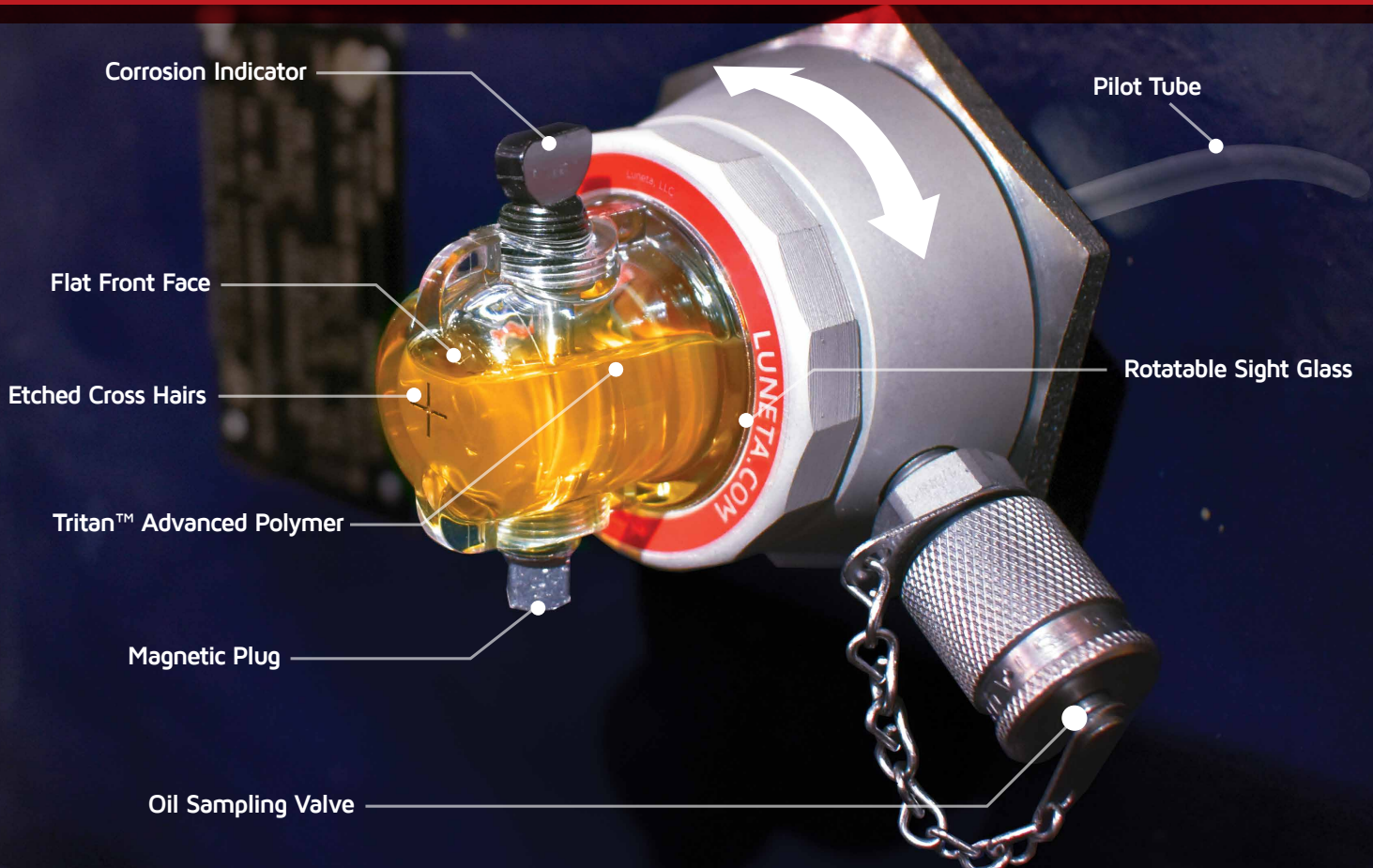
THREADS	PART NUMBER	A	B	C	V
1/4" NPT	SG.025NPT	5/8"	.46"	.73"	.022 fl.oz.
3/8" NPT	SG.038NPT	3/4"	.63"	.98"	.054 fl.oz.
1/2" NPT	SG.050NPT	7/8"	.78"	.98"	.063 fl.oz.
3/4" NPT	SG.075NPT	1 1/8"	1.00"	1.10"	.148 fl.oz.
1" NPT	SG.100NPT	1 5/16"	1.18"	1.10"	.248 fl.oz.
1 1/4" NPT	SG.125 NPT	1 9/16"	1.25"	1.44"	.50 fl.oz.
1 1/2" NPT	SG.150 NPT	1 13/16"	1.34"	1.70"	.78 fl.oz.
1/4" BSPP	SG.025BSPP	5/8"	.46"	.73"	.022 fl.oz.
3/8" BSPP	SG.038BSPP	3/4"	.63"	.98"	.054 fl.oz.
1/2" BSPP	SG.050BSPP	7/8"	.78"	.98"	.063 fl.oz.
3/4" BSPP	SG.075BSPP	1 1/8"	1.00"	1.10"	.148 fl.oz.
1" BSPP	SG.100BSPP	1 5/16"	1.18"	1.10"	.248 fl.oz.
M10X1.0	SG.M10X10	7/16"	.32"	.59"	.004 fl.oz.
M10X1.5	SG.M10X15	7/16"	.32"	.59"	.004 fl.oz.
M12X1.5	SG.M12X15	7/16"	.32"	.59"	.004 fl.oz.
M16X1.5	SG.M16X15	5/8"	.46"	.71"	.021 fl.oz.
M20X1.5	SG.M20X15	7/8"	.78"	.96"	.061 fl.oz.
M22X1.5	SG.M22X15	7/8"	.78"	.96"	.061 fl.oz.



Helical Bevel Gearbox

*O-rings are included with BSPP and Metric sizes only

THE CMP



The Condition Monitoring Pod® (CMP®) is a patented multiparameter inspection tool that modernizes and expands daily one-minute inspections. The CMP provides a nearly 360° view of the oil thanks to the ultra-durable, crystal-clear and chemically resistant Tritan™ material. The flat front face is designed for application of a pen light or camera for closer inspection and analysis. A visible corrosion indicator signals when the oil's chemistry has changed and begun to attack vulnerable metals. A visible magnetic plug is also provided to capture and display ferrous wear debris. Both the corrosion indicator and magnetic plug are removable for further inspection thanks to a rotatable sight glass. And lastly, if lab testing of the oil is required, the CMP has a built-in sampling valve with an attached pilot tube for live-zone sampling.

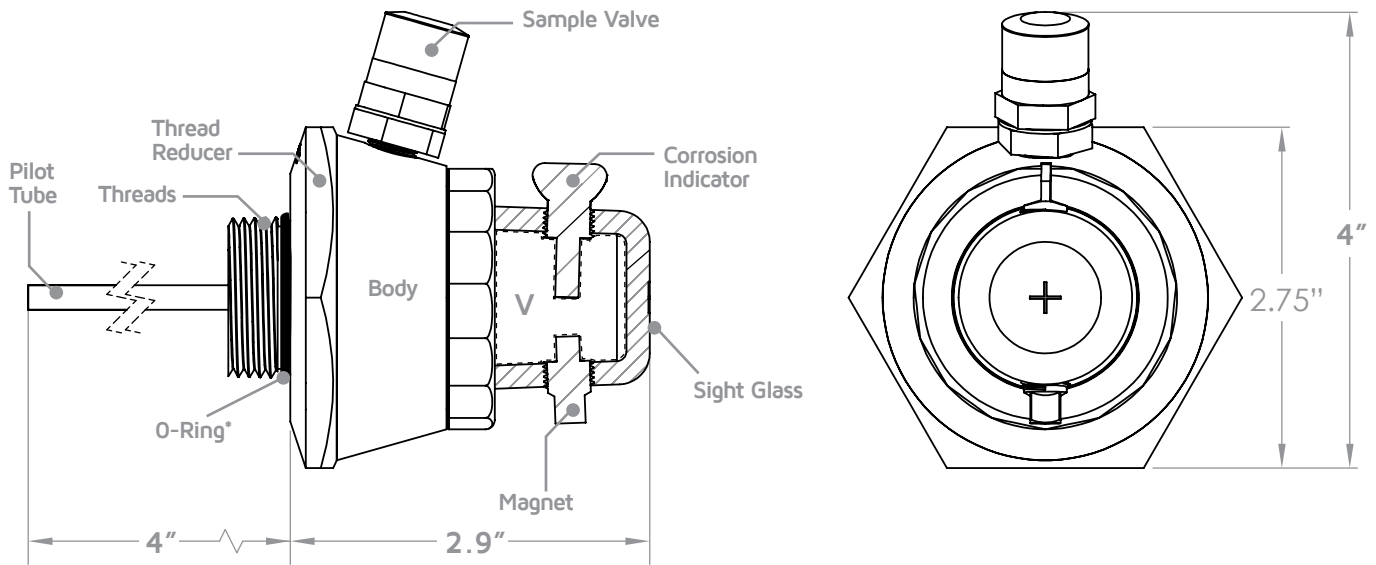


Pulling an Oil Sample

Mooring Winch - Ocean Dredger

Screw Pump - Bottling Plant

Available Male Thread Size:
NPT 1/2", 3/4", 1", 1-1/4" and 1-1/2"; BSPP 1/2", 3/4" and 1"



V - Volume

SPECIFICATIONS
<ul style="list-style-type: none"> • Application: Oil level ports • Volume: See table • Threads: Varies (see table) • Dimensions: 2.9" L x 2.75" W x 4" H • Shipping Weight: 1.2 lbs. • Recommended Temperature: -40°F to 200°F (-40°C to 93°C) • Recommended Pressure: Low pressure applications • Sampling/Drain Valves: Standard flow sampling valve (M16x2) • Materials: Sight Glass: Tritan™ (a patented, crystal clear and chemically resistant material); Body: anodized aluminum; Magnet: strong neodymium rare earth magnet; Thread Reducer: zinc-plated steel; Pilot Tube: stainless steel; Sampling Valve: zinc-plated steel; O-Rings: Viton™; Gasket: Viton™ • Outdoor Compatibility: UV-resistant to protect against long-term sun exposure • Chemical Compatibility: Resistant to mineral and synthetic oils that are compatible with fluorocarbon elastomers (Viton™) and PMMA (acrylic) plastic • Includes: Tritan™ sight glass, Standard flow sampling valve with pilot tube, steel reducer, aluminum body, magnetic plug, steel corrosion indicator and Viton™ Gasket

THREADS	PART NUMBER	V
1/2" NPT	CMPOD.050NPT	.17 fl.oz.
3/4" NPT	CMPOD.075NPT	.29 fl.oz.
1" NPT	CMPOD.100NPT	.58 fl.oz.
1 1/4" NPT	CMPOD.125NPT	.58 fl.oz.
1 1/2" NPT	CMPOD.150NPT	.58 fl.oz.
1/2" BSPP	CMPOD.050BSPP	.17 fl.oz.
3/4" BSPP	CMPOD.075BSPP	.29 fl.oz.
1" BSPP	CMPOD.100BSPP	.58 fl.oz.

ACCESSORIES



Standard Flow Sampling Kit
SAMPLINGKIT.STD



Standard Flow Sampling Probe
PROBE.STD



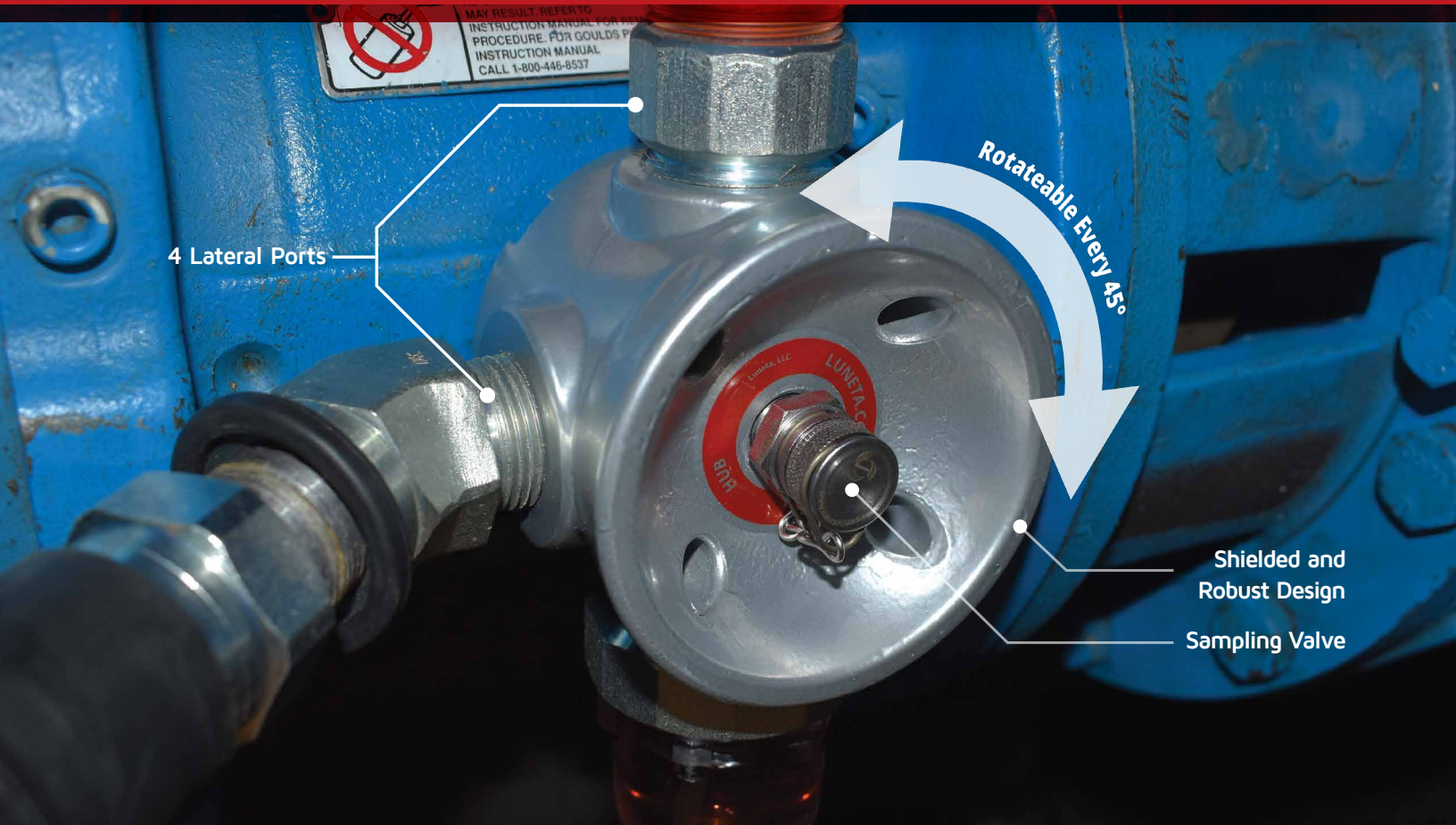
Tritan™ Sight Glass Conversion Kit
SG.XXXF2P.K



Copper Corrosion Indicators
CU.INDICATOR.K

*O-rings are included with BSPP and Metric sizes only.

THE HUB



The Hub's patent-pending design turns one port into five. Eliminate the need to build elaborate assemblies of elbows, crosses and T's just because there is only one port on your machine. The Hub provides two lateral 1" NPT ports, two lateral 3/4" NPT ports, and one central 1/4" NPT port that is designed primarily for a sampling valve. The central port is shielded to protect the sampling valve from accidental impacts and debris. The lateral ports can be used to attach drain valves, quick connects, filter carts, bowls, columns and sight glasses. The Hub is adjustable every 45° so an optimal orientation can be achieved during installation. The Hub is best used in conjunction with Luneta's Column and Bowl. The Hub ships with a sampling valve, stainless steel pilot tube and four steel plugs to seal any unused ports.

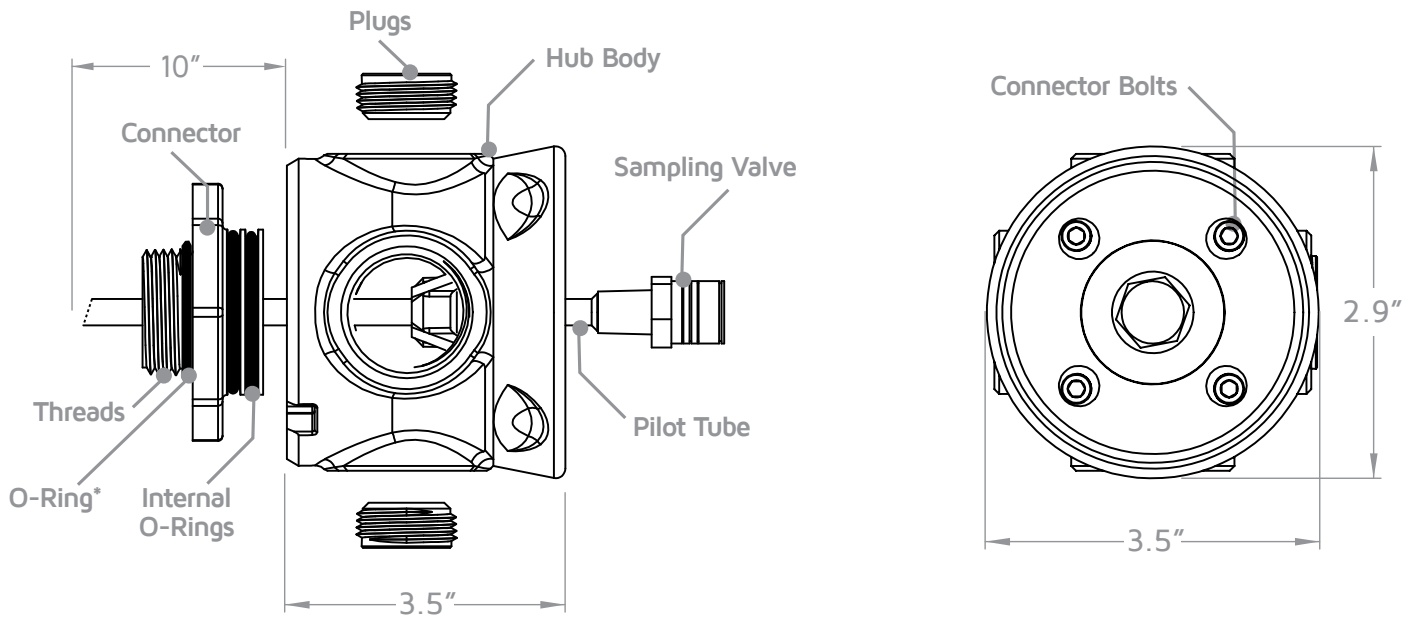


Large Gearbox - Paper Mill

Pulverizer - Paper Mill

Pulling an Oil Sample - Wastewater Plant

Available Male Thread Size:
NPT 1/2", 3/4", 1", 1 1/4" and 1-1/2"; BSPP 1/2", 3/4" and 1"



SPECIFICATIONS

- **Application:** Oil level and drain ports
- **Threads:** Varies (see table)
- **Dimensions:** 3.5"L x 3.5"W x 2.9"H
- **Shipping Weight:** 3.5 lbs. each
- **Recommended Temperature:** -40°F to 400°F (-40°C to 204.4°C)
- **Recommended Pressure:** 65 psi/.4.5 bar
- **Sampling Valve Options:** Standard (M16x2) **OR** high flow sampling valve with 12-inch pilot tube
- **Materials:** **Body:** epoxy powder-coated aluminum; **Connector:** zinc-plated steel; **Plugs:** zinc-plated steel; **Sampling Valve:** zinc-plated steel; **Bolts:** black oxide; **Pilot Tube:** stainless steel; **O-Rings:** Viton™
- **Outdoor Compatibility:** Yes
- **Chemical Compatibility:** Resistant to mineral and synthetic oils that are compatible with fluorocarbon elastomers (Viton™)
- **The Hub Includes:** The hub body, connector, 1" plugs (2), 3/4" plugs (2), sampling valve, pilot tube, connector bolts (4), hex keys for plugs and connector bolts

THREADS	PART NUMBER	
	HIGH FLOW VALVE	STANDARD FLOW VALVE
1/2" NPT	*HUB.050NPT	HUB.050NPT.STD
3/4" NPT	HUB.075NPT	HUB.075NPT.STD
1" NPT	HUB.100NPT	HUB.100NPT.STD
1-1/4" NPT	HUB.125NPT	HUB.125NPT.STD
1-1/2" NPT	HUB.150NPT	HUB.150NPT.STD
1/2" BSPP	HUB.050BSPP	HUB.050BSPP.STD
3/4" BSPP	HUB.075BSPP	HUB.075BSPP.STD
1" BSPP	HUB.100BSPP	HUB.100BSPP.STD

* Available but not recommended

ACCESSORIES



Sampling Kit
SAMPLINGKIT.HIGH



Sampling Probe
PROBE.HIGH



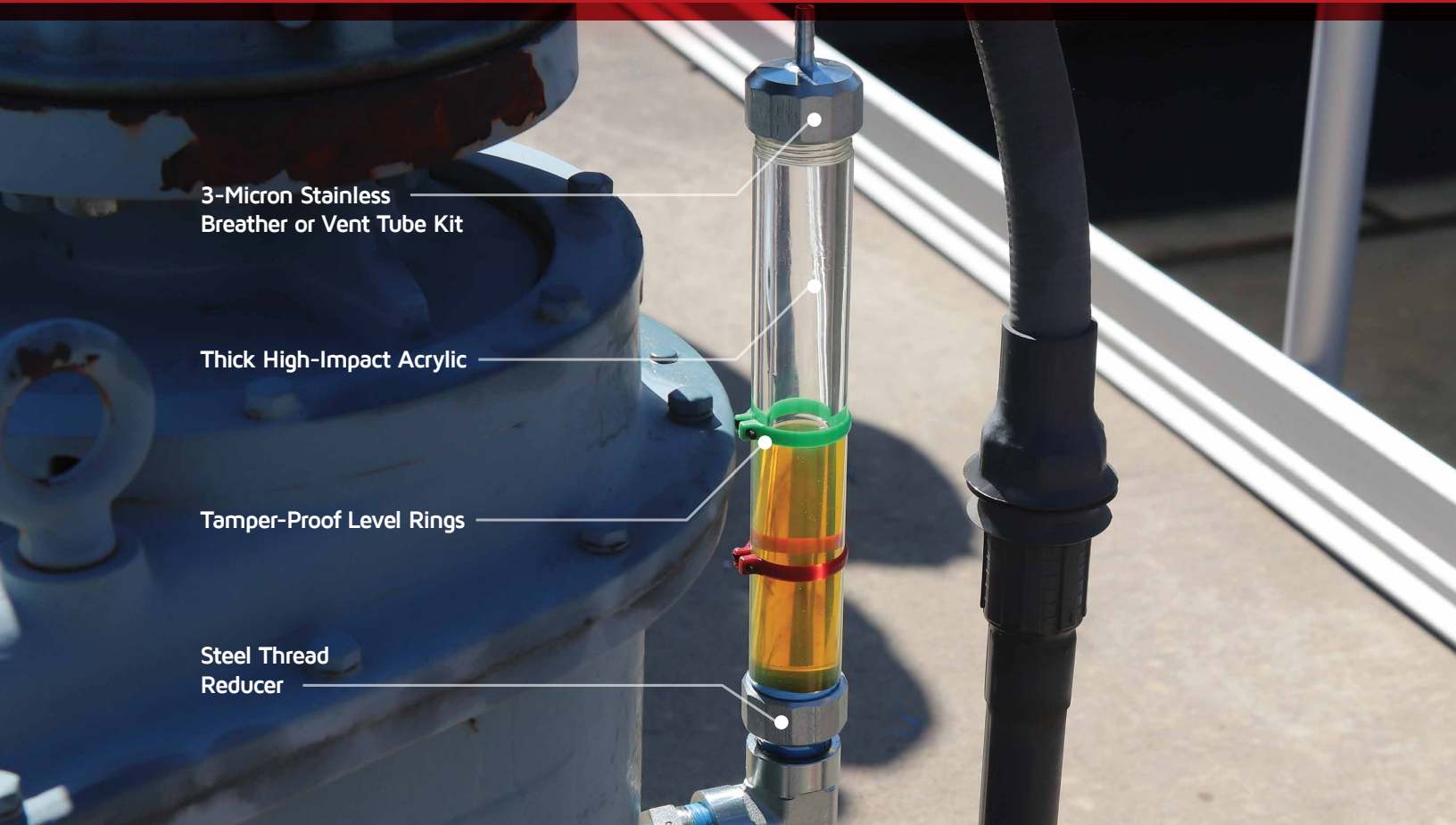
Bowl
BOWL.XXX



Column
COLUMN.XXX

*O-rings are included with BSPP and Metric sizes only.

THE COLUMN



The Column is a 3D sight glass designed for monitoring of fluids with greater fluctuations in level. The Column can be installed at the drain port or anywhere below the oil level. Included red and green level rings provide easy monitoring of the level between idle and running conditions. The level rings have a tamper-proof design to prevent accidental adjustments. The top of the Column includes either a 3-micron stainless breather or a vent tube kit for plumbing the air back to the headspace of the oil reservoir. The Column is made of thick, high-impact acrylic with 1" NPT threads for extra durability and also includes zinc-plated steel thread reducers. The Column works great with Luneta's Hub and Bowl. There is also a bypass tubing kit so the Column can be used in conjunction with a filter cart.

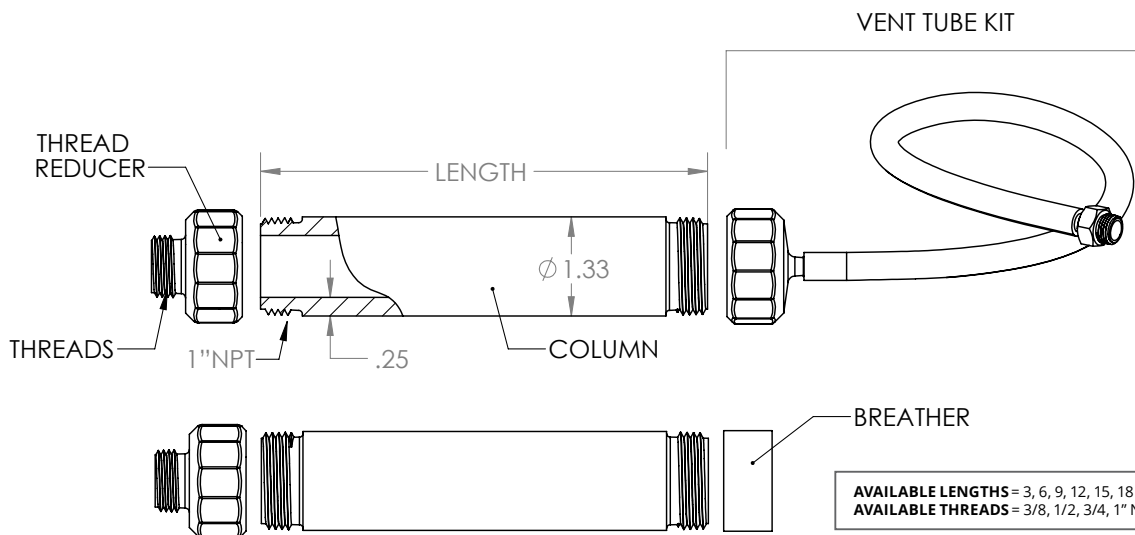


Vent Tube Option - Cooling Tower



3-Micron Breather Option - Speed Reducer

Available Male Thread Size: NPT 3/8", 1/2", 3/4" and 1"
Available Lengths: 3", 6", 9", 12", 15" and 18"



AVAILABLE LENGTHS = 3, 6, 9, 12, 15, 18
 AVAILABLE THREADS = 3/8, 1/2, 3/4, 1" NPT

Part Numbers

COLUMN.00 .00

Length
 03/06/09/12/15/18
 (e.g. 03=3")

Threads
 038/050/075/blank=1"NPT
 (e.g. 075=3/4"NPT)

Vent or Breather at Top
 VNT or B

EXAMPLES

COLUMN.06B.075 = 6" long column with a 3 Micron breather at the top and 3/4" NPT threads at the bottom

COLUMN.12 Vent Tube = 12" long Column with a Vent-to-Headspace tube at the top and 1" NPT threads at the bottom

SPECIFICATIONS

- **Application:** Drain ports
- **Dimensions:** Varies (see drawing)
- **Shipping Weight:** From 7 oz to 2 lbs
- **Recommended Temperature:** -40°F to 200°F (-40°C to 93°C)
- **Recommended Pressure:** 65 psi/.45 bar
- **Materials:** **Column:** impact-resistant PMMA (Acrylic); **Level Rings:** high-strength nylon; **Breather (Optional):** stainless steel 3-micron filter; **Vent Tube Kit (Optional):** zinc-plated steel and LLDPE tubing; **Thread Reducer:** zinc plated steel
- **Outdoor Compatibility:** UV-resistant to protect against long-term sun exposure
- **Chemical Compatibility:** Resistant to mineral and synthetic oils that are compatible with PMMA (acrylic) plastic
- **Includes:** column sight glass, level rings, steel thread adapter and breather **OR** vent tube kit

ACCESSORIES



The Hub
HUB.XXX



Breather 3-micron
BREATHER.COLUMN

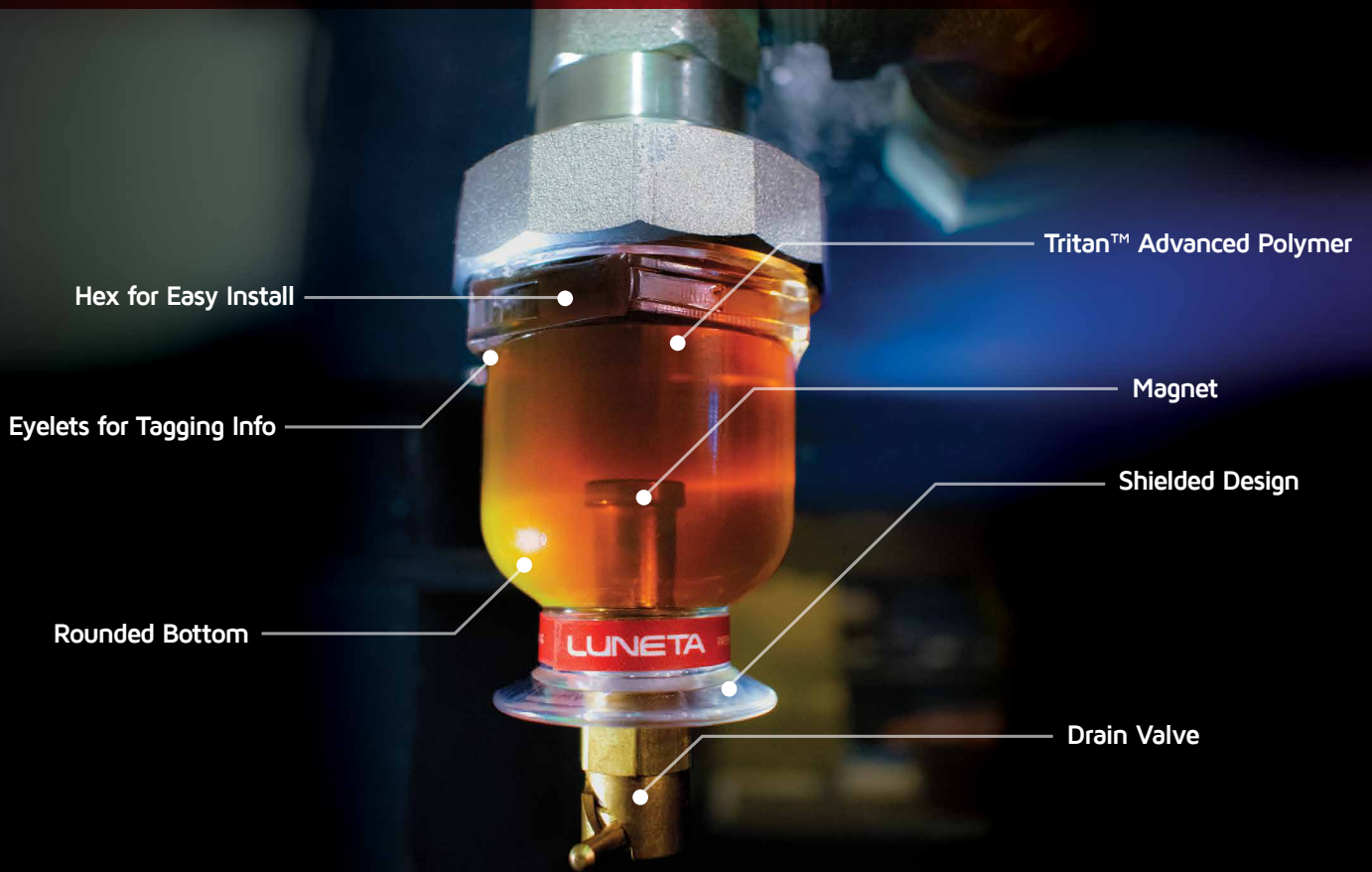


Bypass Tubing Kit
BYPASS.COLUMN



Vent Tube Kit
VENT.COLUMN

THE BOWL



The Bowl is a patent-pending 3D sight glass created specifically for the drain port.

The Bowl is designed to both condition monitor and to trap and purge bottom sediment and water. The rounded bottom and accompanying drain valve efficiently captures and purges both water and sediment that gravity pulls to the bottom. A built-in magnet captures and displays ferrous wear debris. A shield protects the outside of the valve from accumulating debris and impacts. Like other Luneta products, the Bowl provides a nearly 360° view of the oil thanks to the ultra-durable, crystal-clear and chemically resistant Tritan™ material. A built-in hex makes installation easy with a socket wrench or pliers. Two eyelets are provided for tagging useful information such as oil type and an oil color change card. And all of these features are packed into a single molded piece to eliminate leak points.



Sludge Pump - Using Bowl to Purge Water and Sediment

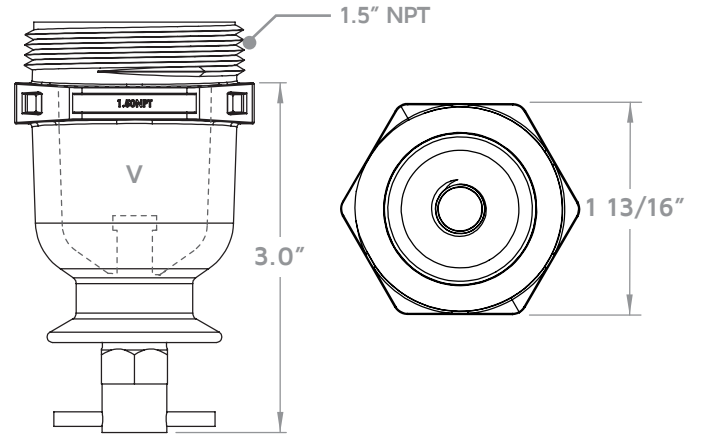
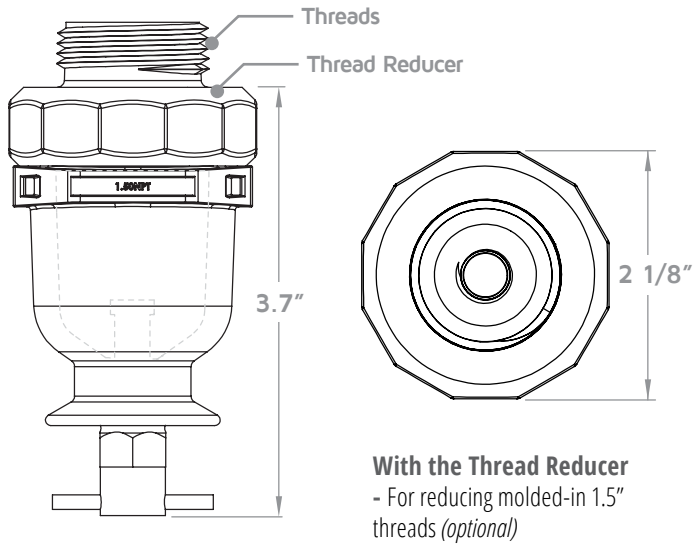


Large Blower - Wastewater Treatment Plant



Clarifier - Wastewater Treatment Plant

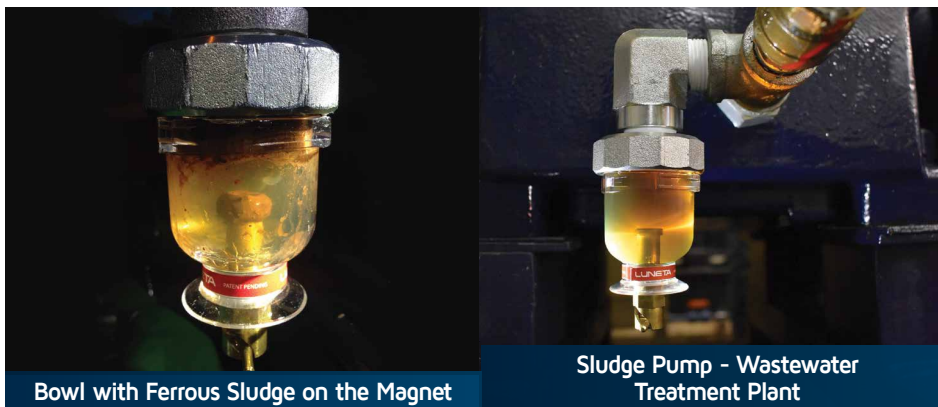
Available Male Thread Size:
NPT 3/8", 1/2", 3/4", 1" and 1-1/2"



V - Volume

SPECIFICATIONS
<ul style="list-style-type: none"> • Application: Drain ports • Volume: 1.0 fl.oz. • Threads: Varies (see table) • Dimensions: (see graphic) • Shipping Weight: 12 oz. each • Recommended Temperature: -40°F to 200°F (-40°C to 93°C) • Recommended Pressure: 65 psi/.45 bar • Sampling/Drain Valves: Drain valve, spiral to open, turn to lock • Materials: Bowl: Tritan™ (a patented, crystal clear and chemically resistant material); Thread Reducer: zinc-plated steel; Drain valve: brass; Magnet: strong neodymium rare earth magnet • Outdoor Compatibility: UV-resistant to protect against long-term sun exposure • Chemical Compatibility: Resistant to mineral and synthetic oils that are compatible with fluorocarbon elastomers (Viton™) and PMMA (acrylic) plastic • Includes: bowl, drain valve with magnet and thread reducer plate if required

THREADS	PART NUMBER	V
3/8" NPT	BOWL.038.MAG	1.0 fl.oz.
1/2" NPT	BOWL.050.MAG	1.0 fl.oz.
3/4" NPT	BOWL.075.MAG	1.0 fl.oz.
1" NPT	BOWL.100.MAG	1.0 fl.oz.
1 1/2" NPT	BOWL.150.MAG	1.0 fl.oz.



ACCESSORIES



Magnetic Drain Valve
DVALVE.MAG

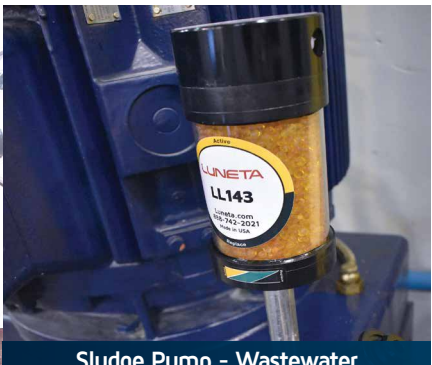
DESICCANT BREATHERS



Luneta desiccant breathers protect from contamination. Luneta breathers are designed to replace the breather cap or air filter on gearboxes, hydraulic fluid reservoirs, bulk storage tanks, oil drums, oil-filled transformers and other fluid reservoirs. The desiccant breathers absorb water from the air before it enters your fluid system and remove particulate contaminants as small as 2 microns. The silica gel changes color as it becomes depleted, turning from gold to dark green. This makes it easy to identify the condition of a breather and quickly replace it, maintaining the cleanliness of the fluid reservoir.



Large Motor - Water Treatment Plant



Sludge Pump - Wastewater Treatment Plant

G-Series



Luneta's G-Series breathers feature an isolation check valve that keeps exhaust air from depleting the desiccant and protects from volatile fumes and splashing fluids. The G-Series casing is constructed from Tritan®, a patented material highly resistant to impact and chemicals with a broad range of operating temperatures. These unique features equate to a longer life for your breather and your equipment. **Ideal for most applications: The only desiccant breather design that is recommended for most fuel applications.**

Part Number	Threads (female)	Height (in)	Diameter (in)	Check Valve Cracking Pressure (psi)	Silica Gel (lbs)	Maximum Air Flow (cfm)	Replacement Cartridge
L5S1NC	1" NPT	9	5.125	0.1	1.5	25	LRC5SC
L8S1NC	1" NPT	12	5.125	0.1	2.8	25	LRC8SC
L5S1NGC	1" NPT	9	5.125	0.1	1.5	25	LRC5SC
L8S1NGC	1" NPT	12	5.125	0.1	2.8	25	LRC8SC
L5S1BC	1" BSP	9	5.125	0.1	1.5	25	LRC5SC
L8S1BC	1" BSP	12	5.125	0.1	2.8	25	LRC8SC
L5S1BGC	1" BSP	9	5.125	0.1	1.5	25	LRC5SC
L8S1BGC	1" BSP	12	5.125	0.1	2.8	25	LRC8SC

Part Number	Description
LGSWDC	Stacking rings - Add more cartridges, which lengthens the breather service life.
LGMSR	Wash down cap - Prevents water from getting into check valves during spray downs.
LGHCAF	G-Series High Capacity Air Filter. Ideal for extremely dirty/dusty environments. 0.3-micron HEPA filter.
LGHCAF-CS	G-Series High Capacity Air Filters. Case of 6. Ideal for extremely dirty/dusty environments. 0.3-micron HEPA filter.



Specifications

- **Vacuum/Pressure Gauge:** A true-life accurate indicator of filter conditions
- **Isolation Check Valve:** Prevents exhaust air from depleting desiccant and protects against volatile fumes and splashing fluids
- **Recommended Temperature Range:** -20° F (-29° C) to 200° F (93° C)
- **Type of Medium:** 100% Silica Gel

Typical Applications

Ideal for most applications - the only desiccant series that is recommended for diesel Fuel applications (not recommended for other fuel applications).

DESICCANT BREATHERS



Luneta's X-Series Breathers are the perfect solution for high humidity and high dust environments. To extend the desiccant's life, the X-Series incorporates two check valves and a reusable top cap. The check valves provide a closed system until airflow is required. Specifically, the intake check valve allows airflow into the breather only when differential pressure between the atmosphere and fluid reservoir exceeds a 0.1 psi threshold, while the exhaust check valve permits air to exit the reservoir when the differential pressure exceeds a 2.0 psi threshold. A 0.1 psi check valve is also available for exhaust.

When the gold silica gel turns dark green, remove the reusable top cap from the bottom desiccant cartridge, dispose of the spent cartridge and then use the same top cap with a replacement cartridge.

Part Number	Threads	Height (in)	Diameter (in)	Check Valve Cracking Pressure (psi)	Silica Gel (lbs)	Maximum Air Flow (cfm)	Replacement Cartridge
LX100	1/2" NPT Female	6.25	3.25	0.3	0.8	10	LL143
LX503	1" NPT Male	7	5	0.1	1.4	20	LA345



Specifications

- **Recommended Temperature Range:** -20° F (-29° C) to 200° F (93° C)
- **Type of Medium:** 100% Silica Gel

Typical Applications

Paper mills, wash down areas, steam cleaning rooms and mine quarries

D-Series

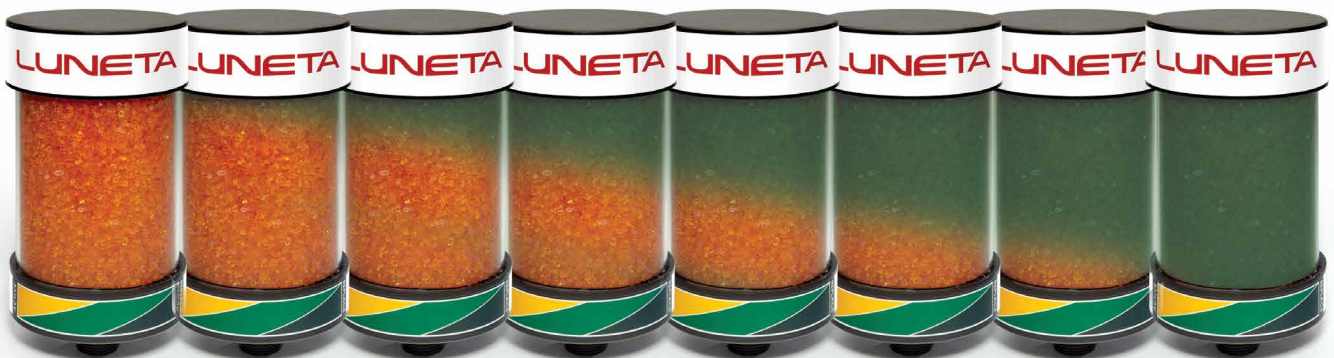


Disposable
 Stationary Applications
 High-Impact ABS and PMMA
 Easy Inspection

Luneta's D-Series breathers are a disposable option designed to satisfy the requirements of most stationary fluid management applications. The breathers provide application flexibility by using 100% silica gel for moisture adsorption. D-Series models feature 2-micron solid particle filtration and an airflow rating of 20 cfm.

The D-Series is constructed of industrial-grade raw materials, tested to ensure a wide range of chemical compatibilities, and features high-impact-resistant ABS top and bottom caps. The clear acrylic tube makes it easy to inspect the condition of the color-changing silica gel from a distance. The silica gel turns from gold to dark green to visually indicate the absorption of moisture and to confirm that the breather is getting the job done.

Part Number	Threads	Height (in)	Diameter (in)	Silica Gel (lbs)	Maximum Air Flow (cfm)
LD103	1" Male	8"	5"	2.7	20



NEW

DEPLETED

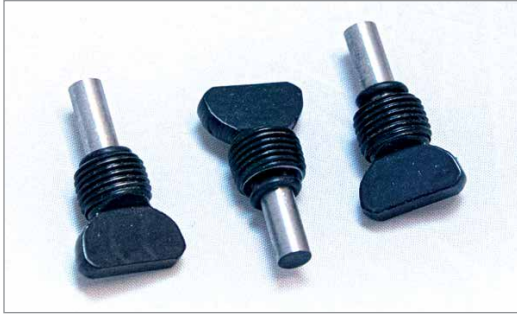
Specifications

- **Recommended Temperature Range:** -20° F (-29° C) to 200° F (93° C)
- **Type of Medium:** 100% Silica Gel

Typical Applications

Storage tanks, fluid reservoirs, transformers, pumps and gearboxes

ACCESSORIES

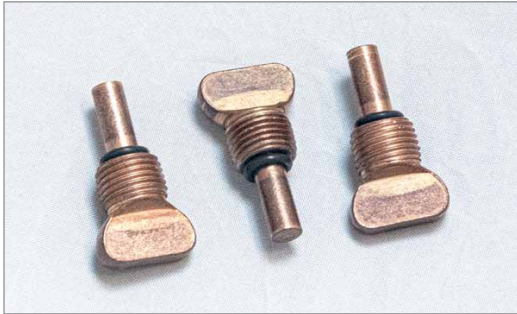


STEEL CORROSION INDICATORS

Detect abnormal corrosion and varnish conditions with these Steel Corrosion Indicators. They are designed to work with the Condition Monitoring Pod. The indicators are available as a three pack.

Specs: 1/8" NPT, unfinished steel with black handle

FE.INDICATOR.POD.K



COPPER CORROSION INDICATORS

Assess the condition of internal surfaces made from bronze or brass with these Copper Corrosion Indicators. They are designed to work with the Condition Monitoring Pod. The indicators are available as a three pack.

Specs: 1/8" NPT, copper, meets ASTM D130

CU.INDICATOR.POD.K



MAGNETIC PLUGS

Collect ferrous wear particles with our Magnetic Plug. Designed to work with the Condition Monitoring Pod. The plugs are available as a three pack.

Specs: 1/8" NPT, zinc-plated steel, strong neodymium rare earth magnets

MAGNET.POD.K



Fill Port Splitter

Splits 1/2" NPT fill port into two independent ports for filling and breathing. Fill and breathe from the same port without contamination. For filling, a 1/2" NPT female fill port is provided. For breathing, a 1/2" and a 1/4" NPT female port are provided, both of which are independent from the filling port to prevent contamination. The 1/4" port can be used to attach the Vent Tube Kit from the Column.

FILLPORT.SPLITTER



MAGNETIC DRAIN VALVE

Quickly purge sediment from your machine and capture ferrous wear particles with our Magnetic Drain Valve. When fully rotated, the valve locks in the open position, which is useful for draining the entire reservoir. A heavy-duty spring offers resistance and protects the valve from accidentally opening.

Specs: 1/4" NPT, 1.9" length, brass, strong neodymium rare earth magnet

DVALVE.MAG



HIGH FLOW SAMPLING PROBE

For attaching vacuum sampling pump to high flow sampling valve.

Specs: Sampling probe with barb for 0.233" inside diameter tubing; 6" length of LLDPE tubing included

PROBE.HIGH



STANDARD FLOW SAMPLING PROBE

For attaching vacuum sampling pump to standard flow sampling valve.

Specs: Sampling probe with barb for 0.17" inside diameter tubing; 6" length of LLDPE tubing included

PROBE.STD



SILICONE CMP COVER

If your Condition Monitoring Pod is exposed to the elements, is in a high-dust environment or is in proximity to other extreme conditions, then keep it clean with our Silicone CMP Cover. It is designed to work with the Condition Monitoring Pod.

Specs: Red, chemical and impact resistant silicone rubber; operating temperature -55°C to +300°C LLDPE

COVER.POD



HIGH FLOW OIL SAMPLING KIT

Draw representative oil samples with our Sampling Kit. The kit is designed to work with the Hub (*high flow sampling probe*).

Specs: Vacuum pump, 6' LDPE tubing, high flow sampling probe, 1 (16 oz) purge bottle, 4 (4 oz) sample bottles

SAMPLINGKIT.HIGH



STANDARD FLOW OIL SAMPLING KIT

Draw representative oil samples with our Sampling Kit. The kit is designed to work with the Condition Monitoring Pod and the Hub (*standard flow sampling probe*).

Specs: Vacuum pump, 6' LDPE tubing, standard flow sampling probe, 1 (16 oz) purge bottle, 4 (4 oz) sample bottles

SAMPLINGKIT.STD

ACCESSORIES



COLUMN VENT TUBE KIT

This kit is used to vent the Column back to the equipment's headspace.

Specs: Zinc plated steel barbed adapters at both ends, with 1" NPT female and 1/4" NPT male threads, 6' length of 1/4" ID LLDPE tubing

VENT.COLUMN



COLUMN BYPASS TUBING KIT

This kit is used when the Column is installed on the Hub and a filter cart will also be utilized. The Bypass Kit will prevent the filter cart from drawing oil out of the Column.

Specs: Zinc-plated steel barbed adapter (1), 6' length of 1/4" high temperature nylon tubing

BYPASS.COLUMN



COLUMN BREATHER

The 3-micron breather protects against airborne contaminants. It easily screws to the top of the Column, allowing air into the reservoir as needed. Filter easily cleaned with high pressure water.

Specs: Stainless steel sintered filter media, 3-micron

BREATHER.COLUMN



LEVEL RINGS

Two tamper-proof level rings mark the idle and running oil level. Each ring is made of durable nylon and secured in place with a socket cap stainless steel screw.

Specs: Red and green nylon rings (1 each), stainless steel screws, includes hex key

LEVEL.RINGS



TUBE BENDER

Choose your exact pilot tube bend locations and the angles which best place the tip of the pilot tube within your machine for good sampling with our Tube Bender. It is designed to work with the Condition Monitoring Pod and Hub.

Specs: For 3/16", 1/4" or 5 mm diameter tubing

TUBE.BENDER



CMP SIGHT GLASS CONVERSION KIT

The latest generation of the CMP Sight Glass. Upgraded to the patented super-tough Tritan™ copolyester, one of the most impact-resistant materials available. Also added were rotation tabs and Viton™ O-rings on the two indicator openings to ensure a consistently tight seal.

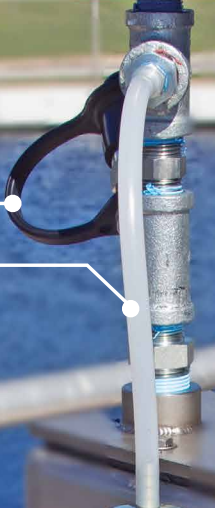
Specs: Steel corrosion indicator, magnetic plug, o-ring lubricant, Tritan™ sight glass with o-ring and installation instructions

SG.100F2P.K, SG.075F2P.K or SG.050F2P.K

X-Series



Vent Tube Kit



Column



LEARN MORE

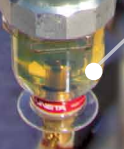
For more information about Luneta products and how to purchase them, please visit Luneta.com. If you would like to become a distributor, please call 1-888-742-2021.

LUNETATA[®]
SMART PRODUCTS • RELIABLE MACHINES

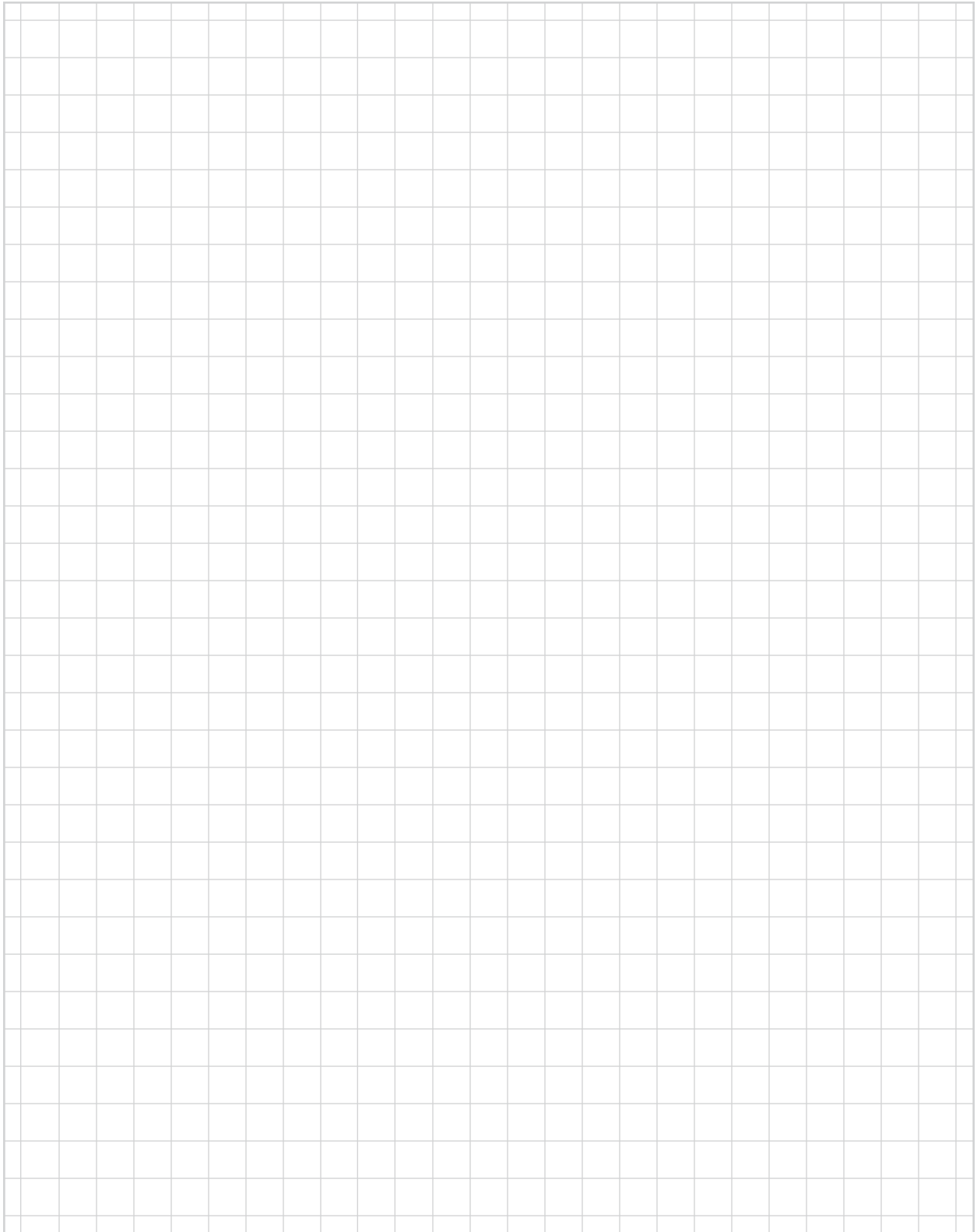
Hub

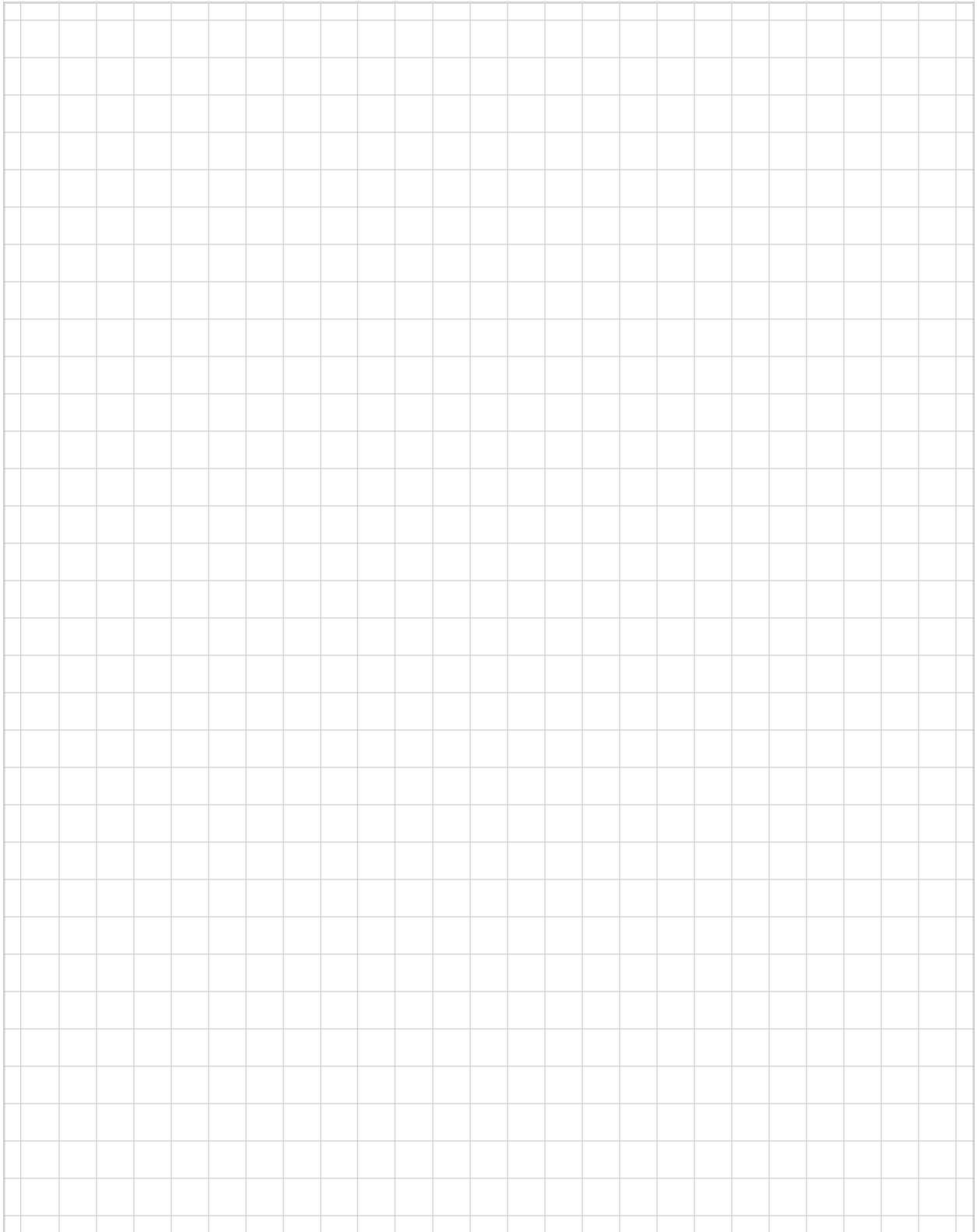


Bowl



NOTES







LUNETATA[®]
SMART PRODUCTS • RELIABLE MACHINES

FIND YOUR SOLUTION

luneta.com

+1-888-742-2021 | sales@luneta.com